

MAGNAGLO®

ZYGLO®



ZB150 *FSB* SELF-BALLASTED BLACK LIGHT

From the most **trusted name** in NDT, comes an innovative **NEW** black light. The ZB-150 *FSB* offers the same outstanding performance as our popular ZB-100 and ZB-100F Black Lights.

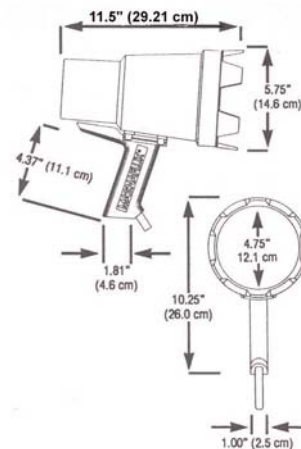


BENEFITS

- No Transformer
- Built in Fan
- Ergonomic Grip
- Competitively Priced

Technical Specifications:

ZB-150FSB	P/N 621135
Power Supply	115 volt 60 hertz
Current Draw	1.7 amps
Typical Output	5,000 w/cm ²
Typical Visible Light	10 Lux or 1 ft. candle @ 15" (38 cm)
150w Self-Ballast Bulb	P/N 519296
Running Temp	85° F (30° C) @ 70° F 13 amp @ 203 VAC
Weight, hand lamp only	2.7 LBS.
Weight, lamp and cord	3.9 LBS.
Main Cable Supply	Ground fault with 9.5 ft. cord length



FOR FURTHER INFORMATION:

PHONE: 847-657-5300 • FAX: 847-657-5388 • www.magnaflux.com

MAGNAFLUX®
A Division of Illinois Tool Works Inc.